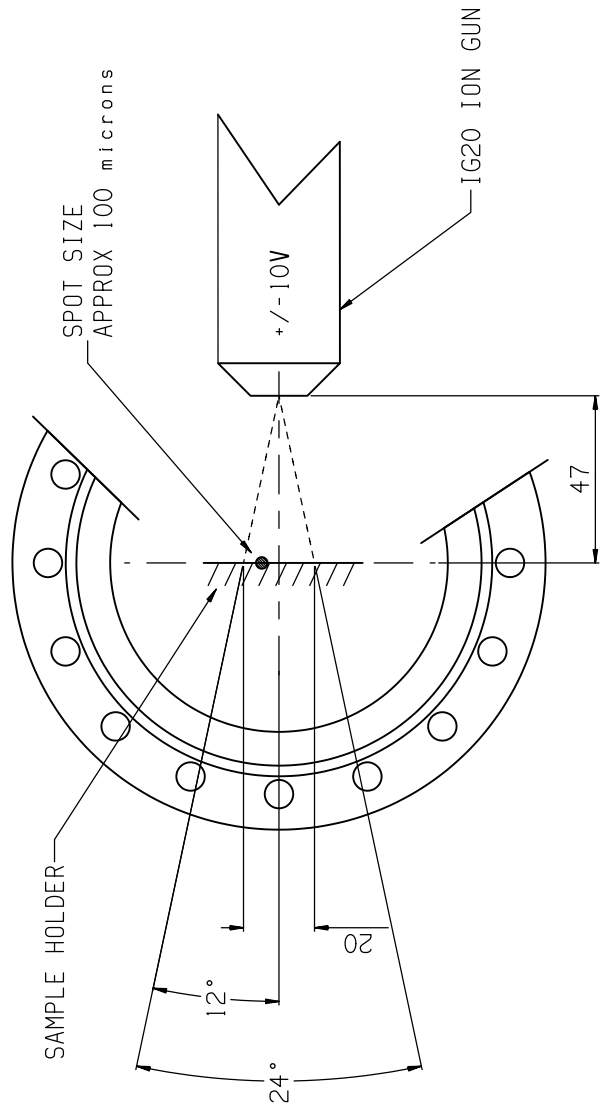
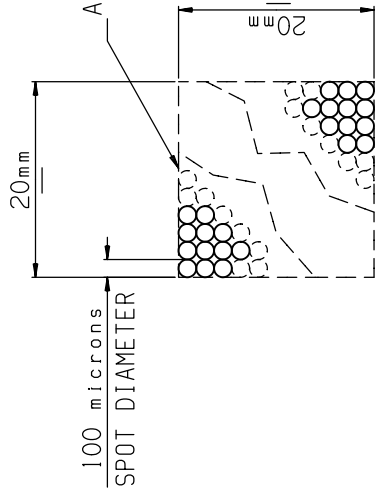


PLAN VIEW OF IG20 ION GUN MOUNTED ONTO SIMS CHAMBER. (NOT TO SCALE)



PLAN VIEW OF IG20 ION GUN AND SAMPLE HOLDER SHOWING SCAN ANGLE AND SCAN LIMITS.



ARRAY OF 200x200=40000 PIXELS (OPTIMUM FOR IG20)

- PIXEL ARRAYS POSSIBLE WITH OTHER ION GUNS:
- 100x100
 - 250x250
 - 400x400
 - 600x600
 - 800x800
 - 1000x1000

PIXEL ARRAY ON SAMPLE. (NOT TO SCALE)

DTW	ORIGINAL	03MAR04	A	SS1
ISSUED BY	MODIFICATION	DATE		

MATERIAL :	OPTIMUM SIMS IMAGING FIELD OF VIEW FOR IG20 ION GUN	DRG.No. HAA-111IG-017 issue A
PROJECTION:	A2.	SHEET 1 OF 1
DIMENSIONS: mm. UNLESS SPECIFIED		