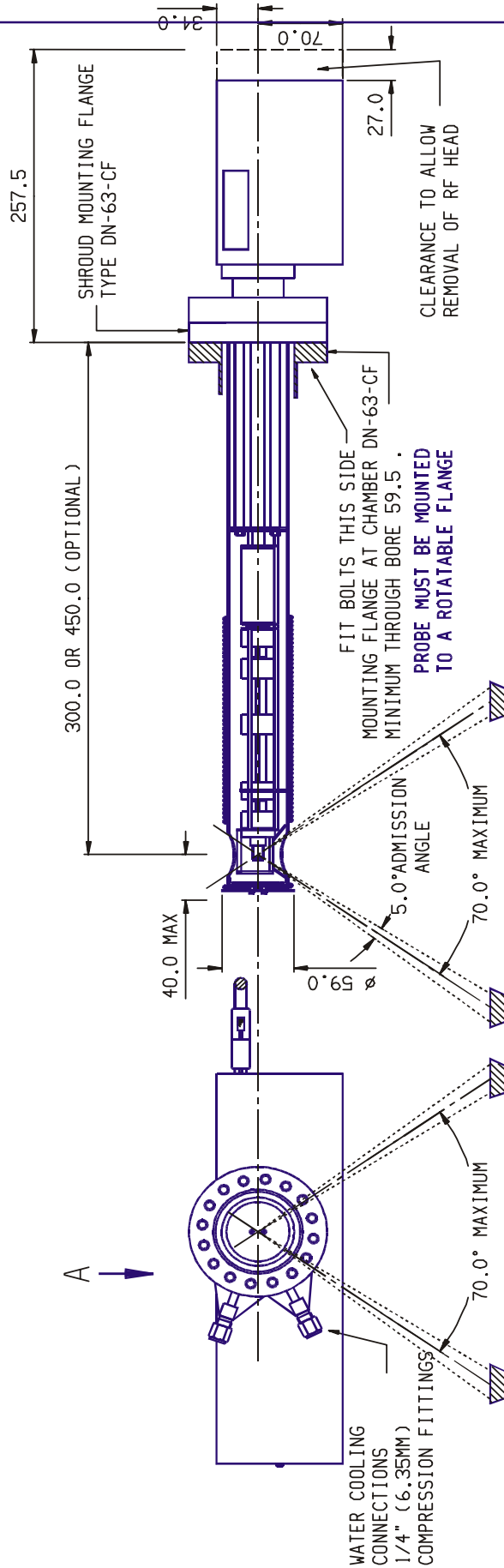
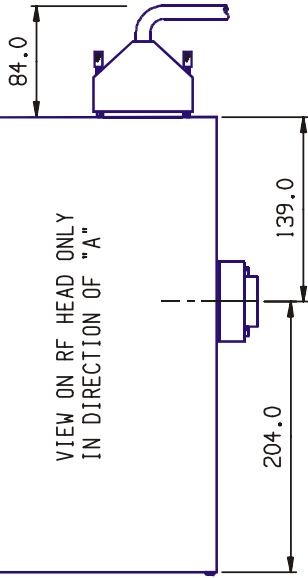


NOTES: 1. BEAM ADMISSION ANGLE IS 5 DEG. FACTORY-CONFIGURED AND PRESET WITHIN A 70 DEG CONE.
 2. THE QUADRUPOLE SYSTEM CAN BE FACTORY CONFIGURED TO ACCEPT MULTIPLE BEAMS WITHIN THE 70 DEG CONE.



09NOV01 C	ISSUED	155
17OCT01 B	DATE	
05MAY98 A	MODIFICATION	
ORIGINAL	BY	

MATERIAL: A3.	TITLE	DRG. No. HAS-107-028
PROJECTION: UNLESS STATED	MBE PROBE WITH WATER COOLED SHROUD	ISS C
TOLERANCE +/- UNLESS SPECIFIED	SHEET 1 OF 1	
DIMENSIONS: mm. UNLESS SPECIFIED	STRICTLY CONFIDENTIAL HIDDEN ANALYTICAL LTD. © 1998	

